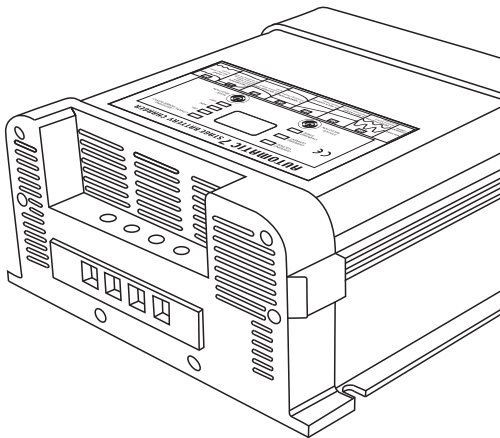


# Smart Battery Charger

**Automatic 7 stage battery charger with lithium battery mode**

**12V 10A, 24V5A, 12V20A, 24V10A, 12V30A, 24V15A,  
12V40A, 24V20A, 12V50A, 24V25A, 12V60A, 24V30A**



※ THE IMAGE SHOWN HERE IS INDICATIVE ONLY, PLS REFER TO THE ACTUAL PRODUCT.

## 11. Specification

Model	EBC1220 -Li	EBC2405 -Li	EBC1220 -Li	EBC2410 -Li
Input voltage range	190-265V AC ~ 50Hz			
Bulk/Absorption charging	14.2V/14.6/14.8V DC selectable (12V) 28.4V/29.2/29.6V DC selectable (24V) 14.4V+/-0.2V (12V), 28.8V+/-0.4V(24V) (LITHIUM mode)			
Float charging	13.2V/13.5/13.8V DC selectable (12V) 26.4V/27V/27.6V DC selectable (24V) 13.5V+/-0.2V (12V), 27V+/-0.4V(24V) (LITHIUM mode)			
Max. DC output current	10A	5A	20A	10A
Output voltage	12V	24V	12V	24V
Suggest battery capacity	15-100Ah		25-200Ah	
Output ripple	<50mA at full load			
Max. efficiency	88%			
Load regulation	1.5% at output current; no load to full load			
Optimum ambient temperature	0-40°C			
Isolated DC output	2			
Ventilation	Cooling fan ; By thermal & current controlled			
Dimensions(mm)	176x175x95 (LxWxH)			

Model	EBC1230 -Li	EBC2415 -Li	EBC1240 -Li	EBC2420 -Li
Input voltage range	190-265V AC ~ 50Hz			
Bulk/Absorption charging	14.2V/14.6/14.8V DC selectable (12V) 28.4V/29.2/29.6V DC selectable (24V) 14.4V+/-0.2V (12V), 28.8V+/-0.4V(24V) (LITHIUM mode)			
Float charging	13.2V/13.5/13.8V DC selectable (12V) 26.4V/27V/27.6V DC selectable (24V) 13.5V+/-0.2V (12V), 27V+/-0.4V(24V) (LITHIUM mode)			
Max. DC output current	30A	15A	40A	20A
Output voltage	12V	24V	12V	24V
Suggest battery capacity	40-300Ah		50-400Ah	
Output ripple	<50mA at full load			
Max. efficiency	88%			
Load regulation	1.5% at output current; no load to full load			
Optimum ambient temperature	0-40°C			
Isolated DC output	2			
Ventilation	Cooling fan ; By thermal & current controlled			
Dimensions(mm)	226x175x95 (LxWxH)			

Model	EBC1250 -Li	EBC2425 -Li	EBC1260 -Li	EBC2430 -Li
Input voltage range	190-265V AC ~ 50Hz			
Bulk/Absorption charging	14.2V/14.6/14.8V DC selectable (12V) 28.4V/29.2/29.6V DC selectable (24V) 14.4V+/-0.2V (12V), 28.8V+/-0.4V(24V) (LITHIUM mode)			
Float charging	13.2V/13.5/13.8V DC selectable (12V) 26.4V/27V/27.6V DC selectable (24V) 13.5V+/-0.2V (12V), 27V+/-0.4V(24V) (LITHIUM mode)			
Max. DC output current	50A	25A	60A	30A
Output voltage	12V	24V	12V	24V
Suggest battery capacity	40–300Ah		80–500Ah	
Output ripple	<50mA at full load			
Max. efficiency	88%			
Load regulation	1.5% at output current; no load to full load			
Optimum ambient temperature	0-40°C			
Isolated DC output	2			
Ventilation	Cooling fan ; By thermal & current controlled			
Dimensions(mm)	226x175x95 (LxWxH)			

#### Battery type and charging voltage setting

Battery type	Float charging		Bulk/Absorption charging	
	12V	24V	12V	24V
GEL /SLA	13.2V	26.4V	14.2V	28.4V
AGM	13.5V	27V	14.6V	29.2V
WET/calcium	13.8V	27.6V	14.8V	29.6V
Lithium	13.5V+/-0.2V	27V+/-0.4V	14.4V+/-0.2V	28.8V+/-0.4V